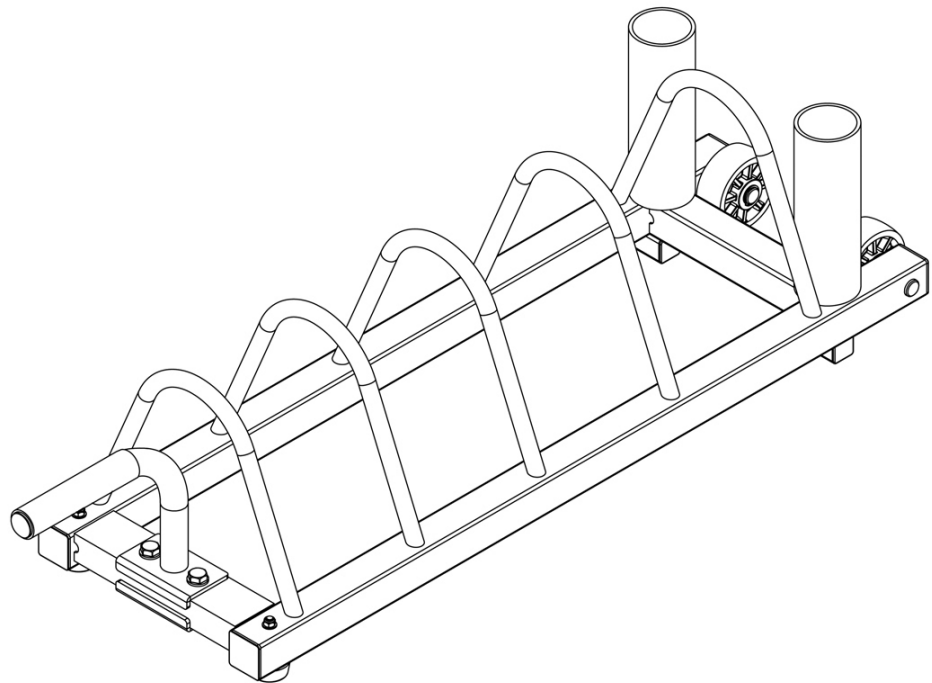


STEELBODY

WEIGHT PLATE RACK

STB-0130



NOTE:
Please read all instructions
carefully before using this
product

NOTA:
Por favor lea atentamente
las instrucciones antes de
utilizar este producto

Table of Contents / Índice

Safety Notice / Aviso de
seguridad

Important Assembly
Information / Información
importante de montaje

Care and Maintenance /
Cuidado y mantenimiento

Parts List / Lista de piezas

Warranty / Garantía

Ordering Parts / Solicitud de
piezas

Model / Modelo
STB-0130

Retain This Manual for
Reference / Conserve
este manual para
futura referencia

221228

**OWNER'S
MANUAL / MANUAL
DEL USUARIO**

IMPORTANT: Please read this manual before commencing
assembly of this product.

IMPORTANTE: Por favor lea este manual antes de comenzar a
montar este producto.

IMPEX INC.

2801 S. Towne Ave, Pomona, CA 91766
Tel: (800) 999-8899 Fax: (626) 961-9966

www.marcypro.com

support@impex-fitness.com

TABLE OF CONTENTS

BEFORE YOU BEGIN.....	1
IMPORTANT SAFETY NOTICES.....	2
WARNING LABEL PLACEMENT.....	3
HARDWARE PACK.....	4
ASSEMBLY INSTRUCTIONS.....	5
EXPLODED DIAGRAM.....	6
PARTS LIST.....	6
WARRANTY.....	7
ORDERING PARTS.....	7

BEFORE YOU BEGIN

Thank you for selecting the STEELBODY Weight Plate Rack STB-0130 by IMPEX INC. For your safety and benefit, read this manual carefully before using the equipment. As a manufacturer, we are committed to provide you complete customer satisfaction. If you have any questions, or find there are missing or damaged parts, we guarantee you complete satisfaction through direct assistance from our factory. To avoid unnecessary delays, *please call our TOLL-FREE customer service number*. Our Customer Service Agents will provide immediate assistance to you.

Toll-Free Customer Service Number

1-800-999-8899

Mon. – Fri. 9 a.m. – 5 p.m. PST

www.marcypro.com

support@impex-fitness.com

IMPORTANCE SAFETY NOTICE

PRECAUTIONS

Certain precautions apply when you operate a piece of exercise equipment. Be sure to read the entire manual before you assemble or operate your machine. In particular, note the following safety precautions:

1. **Keep children and pets away from the equipment at all times. DO NOT leave children unattended in the same room with the equipment.**
2. If the user experiences dizziness, nausea, chest pain, or any other Abnormal symptoms, STOP the workout at once. CONSULT A PHYSICIAN IMMEDIATELY.
3. Position the equipment on an obstruction free, level surface.
4. DO NOT use the equipment near water or outdoors.
4. Keep hands away from all moving parts.
6. DO NOT use attachments not recommended by the manufacturer.
7. Do not place any sharp objects around the equipment.
8. Never use if the unit is not functioning properly.
9. NEVER climb or stand on rack.
10. **This equipment is designed and intended for home and consumer use only, not for commercial use.**

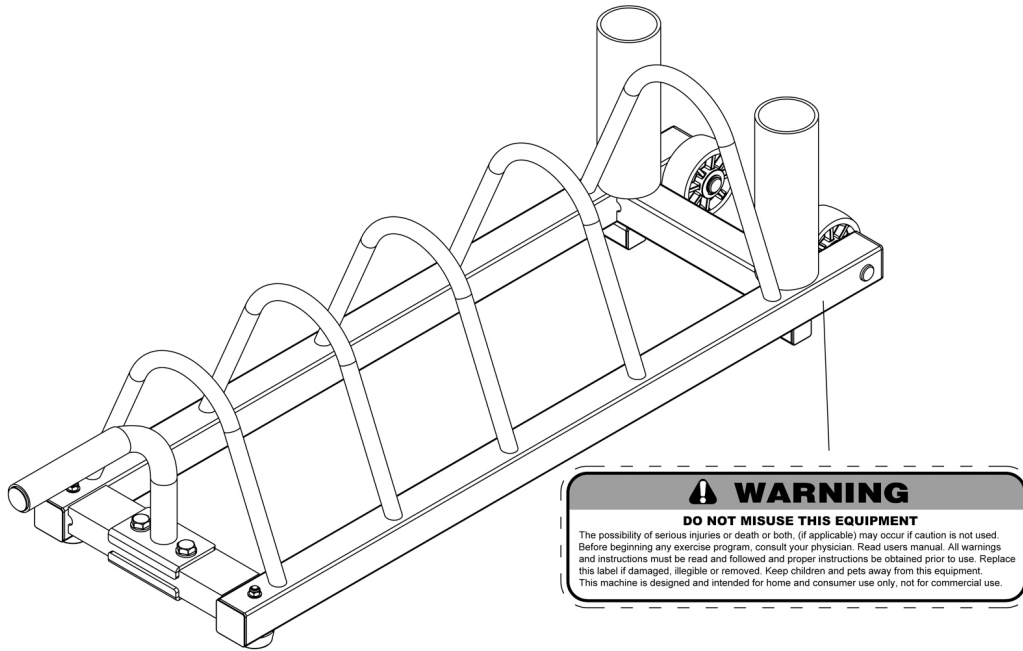
CARE AND MAINTENANCE

1. Inspect and tighten all parts before using the equipment. DO NOT over tighten. If parts are worn or damaged, DO NOT use. Contact Customer Service for replacement parts.
2. **Failure to examine regularly may affect the safety level of the equipment.**
3. The equipment can be cleaned using a damp cloth and mild non-abrasive detergent.
DO NOT use solvents or bleach.
4. **Maximum weight load on Storage Rack: 360lbs**
5. Assembled Dimension: 39.5" x 11.5" x 10.5"

WARNING: CONSULT WITH YOUR DOCTOR BEFORE BEGINNING ANY EXERCISE PROGRAM. READ ALL INSTRUCTIONS BEFORE USING ANY FITNESS EQUIPMENT. NOT FOR USE BY CHILDREN UNDER AGE 14. INSPECT FOR DAMAGE BEFORE EACH USE. DO NOT USE IF DAMAGED OR MISSING PARTS.

SAVE THESE INSTRUCTIONS.

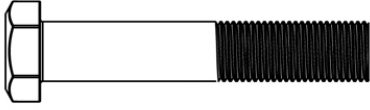
WARNING LABEL PLACEMENT



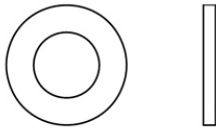
The Warning Label shown here has been placed on the Rack Storage Frame. If the label is missing or illegible, please call customer service at 1-800-999-8899 for replacement. Apply the label in location shown.

HARDWARE PACK

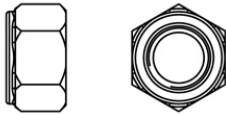
NOTE: The following parts are not drawn to scale. Please use your own ruler to measure the size.



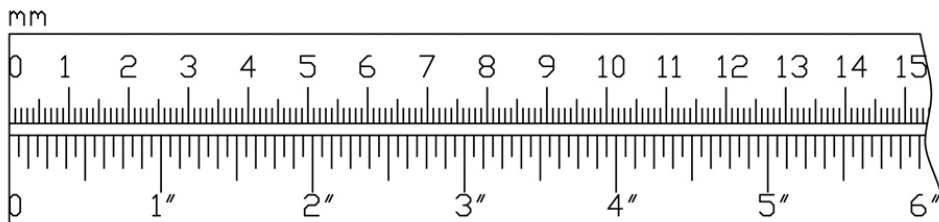
⑩ × 2



⑰ × 4



⑬ × 2



ASSEMBLY INSTRUCTION

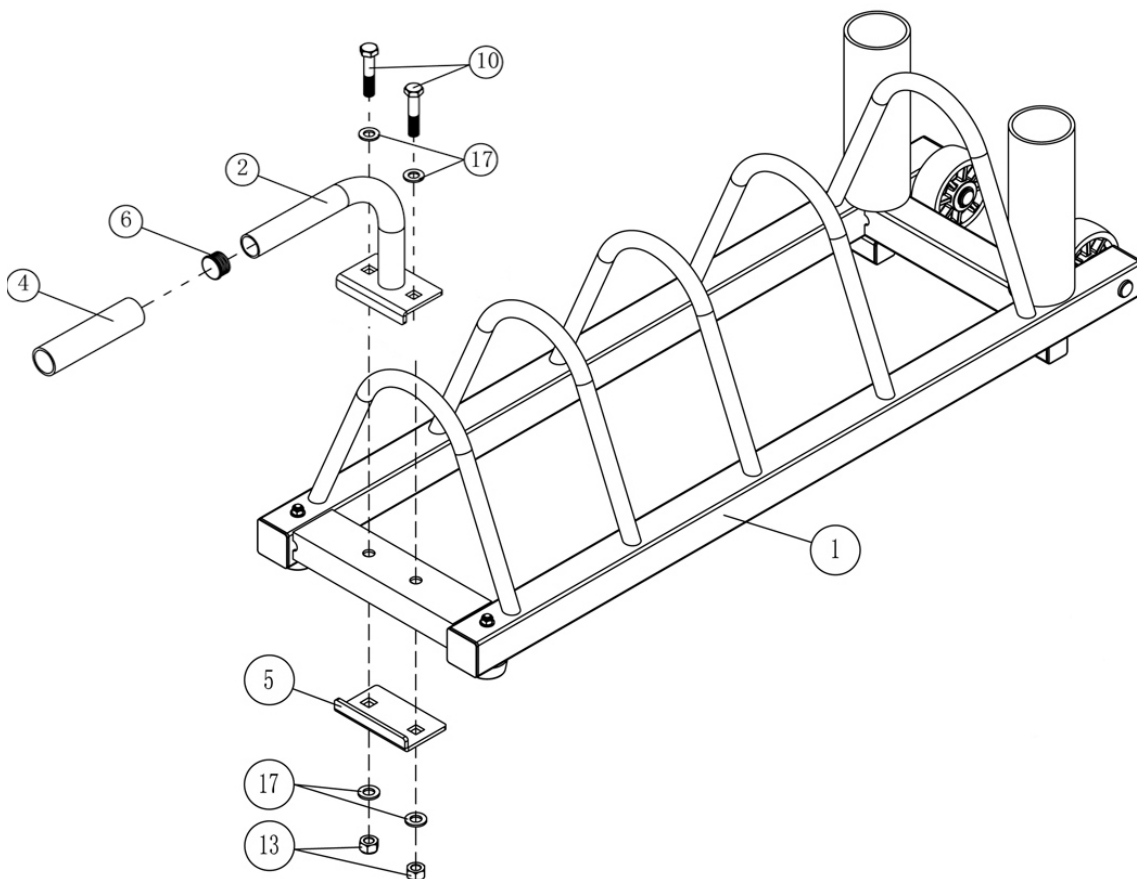
Tools required for assembling this equipment: **Two Adjustable Wrenches.**

It is strongly recommended that two or more people assemble this fixture to avoid possible injury.

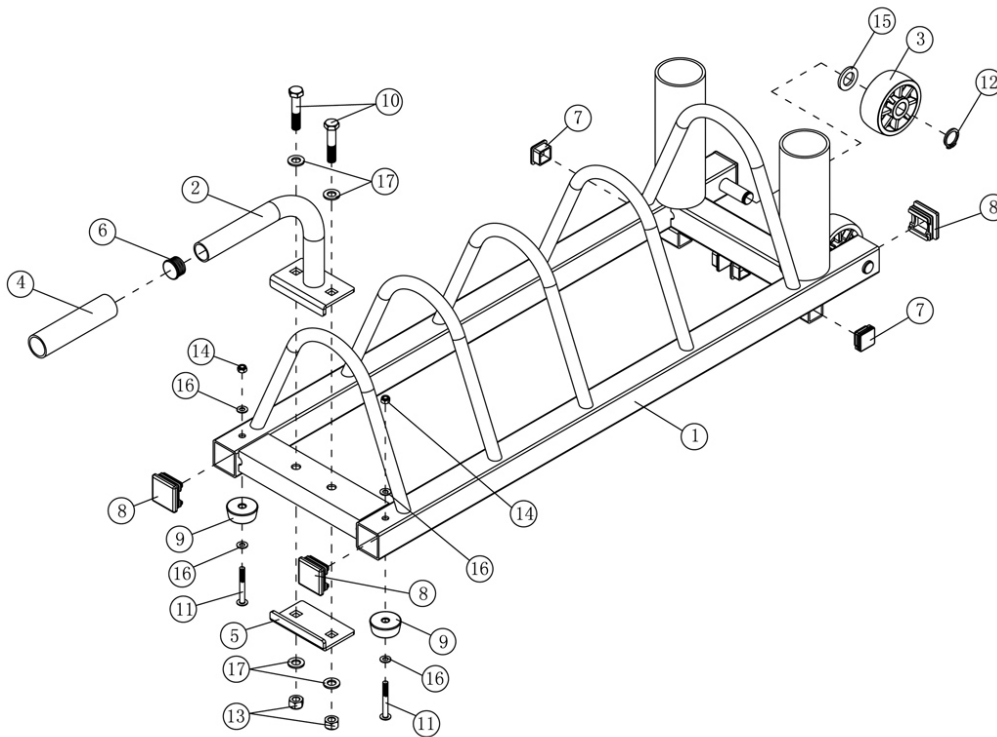
STEP-1 (See Diagram 1)

- A.) Attach the Handle (#2) to the Storage Rack Frame (#1). Secure it to the Storage Rack Frame with two M10 x 2 1/8" Hex Bolts (#10), one Bracket (#5), four Ø 3/4" Washers (#17), and two M10 Aircraft Nuts (#13).
- B.) Push Handle Grip (#4) onto the Handle. Plug the Handle End Cap (#6) onto the Handle.

DIAGRAM-1



EXPLODED DIAGRAM



STB-0130 PARTS LIST

PART NO.	DESCRIPTION	SIZE	QUANTITY
1	Storage Rack Frame		1
2	Handle		1
3	Roller Wheel		2
4	Handle Grip	6"	1
5	Bracket	3 1/2" x 2 1/8"	1
6	Handle End Cap	Ø 1"	1
7	End Cap	1" x 1"	4
8	End Cap	1 1/2" x 1 1/2"	4
9	Rubber Bumper	Ø 1 1/2" x 5/8"	2
10	Hex Bolt	M10 x 2 1/8"	2
11	Philips Screw	M6 x 2"	2
12	Lock Ring	Ø 5/8"	2
13	Aircraft Nut	M10	2
14	Aircraft Nut	M6	2
15	Washer	Ø 1 1/8"	2
16	Washer	Ø 1/2"	4
17	Washer	Ø 3/4"	4

IMPEX[®] INC.

LIMITED WARRANTY

IMPEX Inc. ("IMPEX[®]") warrants this product to be free from defects in workmanship and material, under normal use and service conditions, for a period of two years on the Frame from the date of purchase. This warranty extends only to the original purchaser. IMPEX's obligation under this Warranty is limited to replacing or repairing, at IMPEX's option.

All returns must be pre-authorized by IMPEX. Pre-authorization may be obtained by calling IMPEX Customer Service Department at 1-800-999-8899. All freights on products returned to IMPEX must be prepaid by the customer. This warranty does not extend to any product or damage to a product caused by or attributable to freight damage, abuse, misuse, improper or abnormal usage or repairs not provided by an IMPEX authorized service center or for products used for commercial or rental purposes. No other warranty beyond that specifically set forth above is authorized by IMPEX.

IMPEX is not responsible or liable for indirect, special or consequential damages arising out of or in connection with the use or performance of the product or other damages with respect to any economic loss, loss of property, loss of revenues or profits, loss of enjoyments or use, costs of removal, installation or other consequential damages or whatsoever natures. Some states do not allow the exclusion or limitation of incidental or consequential damages. Accordingly, the above limitation may not apply to you.

The warranty extended hereunder is in lieu of any and all other warranties and any implied warranties of merchantability or fitness for a particular purpose is limited in its scope and duration to the terms set forth herein. Some states do not allow limitations on how long an implied warranty lasts. Accordingly, the above limitation may not apply to you.

This warranty gives you specific legal right. You may also have other rights which vary from state to state.

Register on-line at www.marcypro.com

IMPEX[®] INC.
2801 S. Towne Ave.
Pomona, CA 91766

ORDERING REPLACEMENT PARTS

Replacement parts can be ordered by calling our Customer Service Department toll-free at **1-800-999-8899** during our regular business hours: Monday through Friday, 9 am until 5 pm Pacific standard time.

support@impex-fitness.com

When ordering replacement parts, always give the following information.

1. Model
2. Description of Parts
3. Part Number
4. Date of Purchase